



Lithium Coin Cell - CR 2477 H2B

- Low self-discharge
- Long shelf life
- UN 38.3 tested
- Wide assortment of mounting options and wire terminals available



RoHS compliant



Pb free



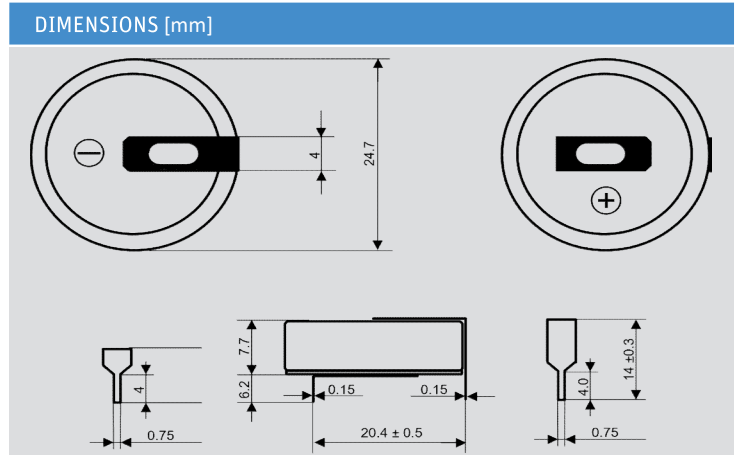
REACH compliant



Conflict mineral free

SPECIFICATIONS	
Jauch part number	250240
Nominal Voltage	3V
Nominal Capacity	1000 mAh
Standard Load	5.1 kΩ
Standard Current	0.5 mA
Max. Continuous Current	2 mA
Max. Pulse Current	15 mA
Operating Temperature	-30°C to +85°C *
Weight	Approx. 8.8 g
Chemistry	Li/MnO ₂

Note: Capacity 100mAh is obtained at standard cc load to 2.0V at 23°C.



* In applications where the battery is exposed to temperatures >60°C, please contact Jauch.

